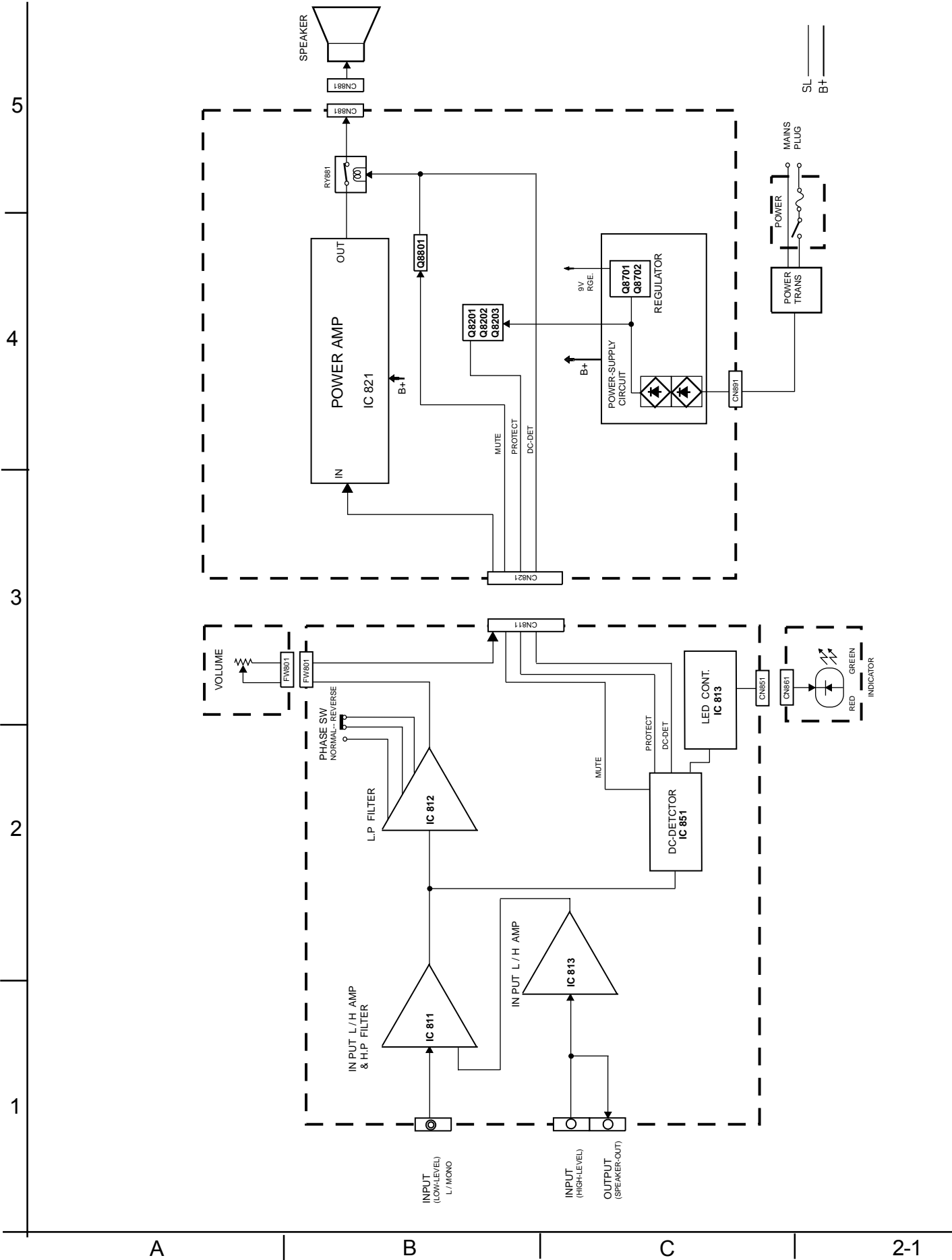


Block diagram



< MEMO >

Standard schematic diagram

NOTES

- VOLTAGES ARE DC-MEASURED WITH A DIGITAL VOLT METER WITHOUT INPUT SIGNAL.
- UNLESS OTHERWISE SPECIFIED.
 - ALL RESISTORS ARE 1/4W ±5% CARBON RESISTOR.
 - ALL CAPACITORS ARE CERAMIC CAPACITOR OR MYLAR CAPACITOR.
 - ALL RESISTANCE VALUES ARE IN OHM(Ω).
 - ALL CAPACITANCE VALUES ARE IN μF(P=pF).
 - ALL E-CAPACITORS ARE SHOWN IN THE FORM OF CAPACITANCE(μF)/RATED VOLTAGE (V).
 - ALL INDUCTANCE VALUES ARE IN μH(m=mH).

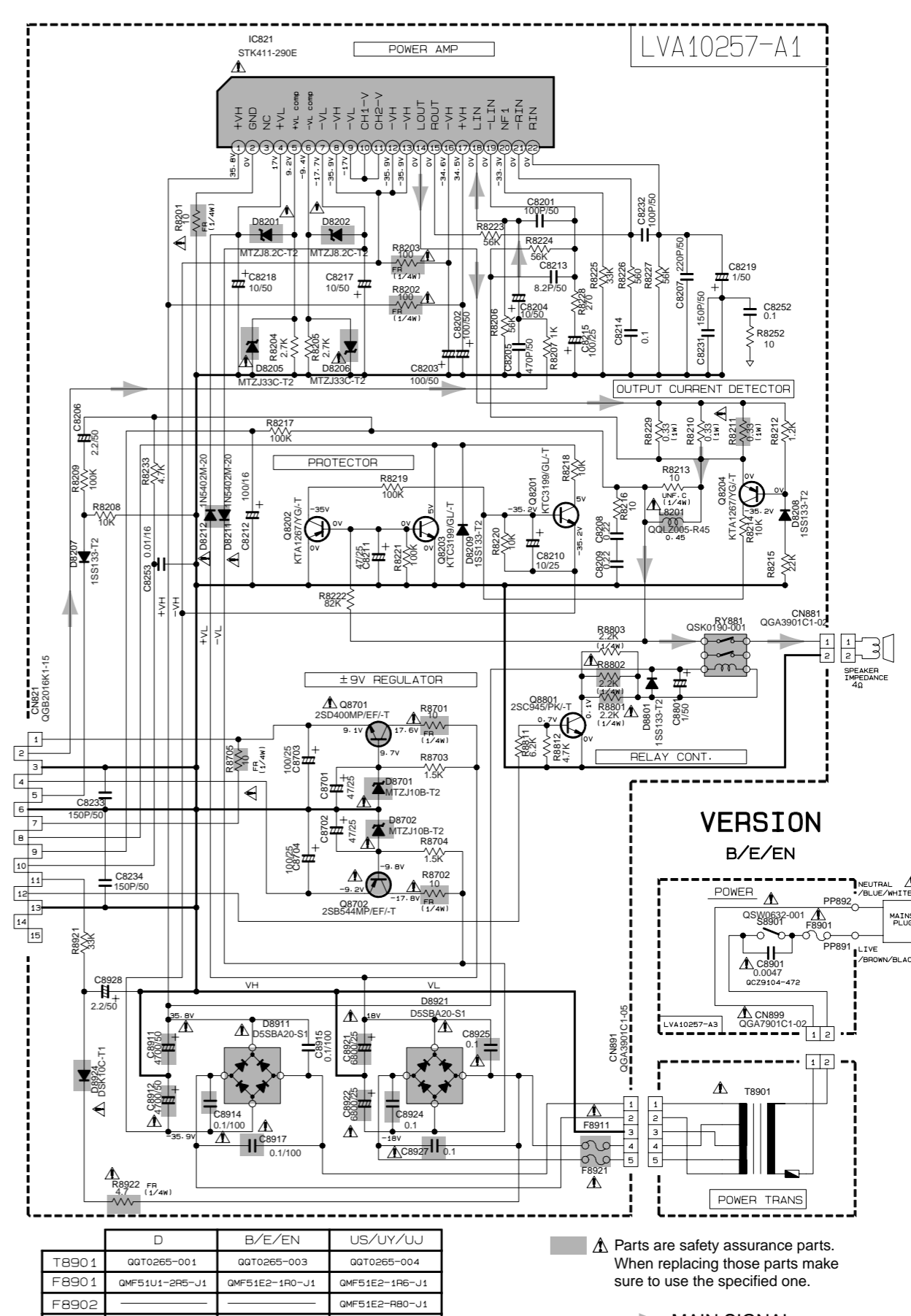
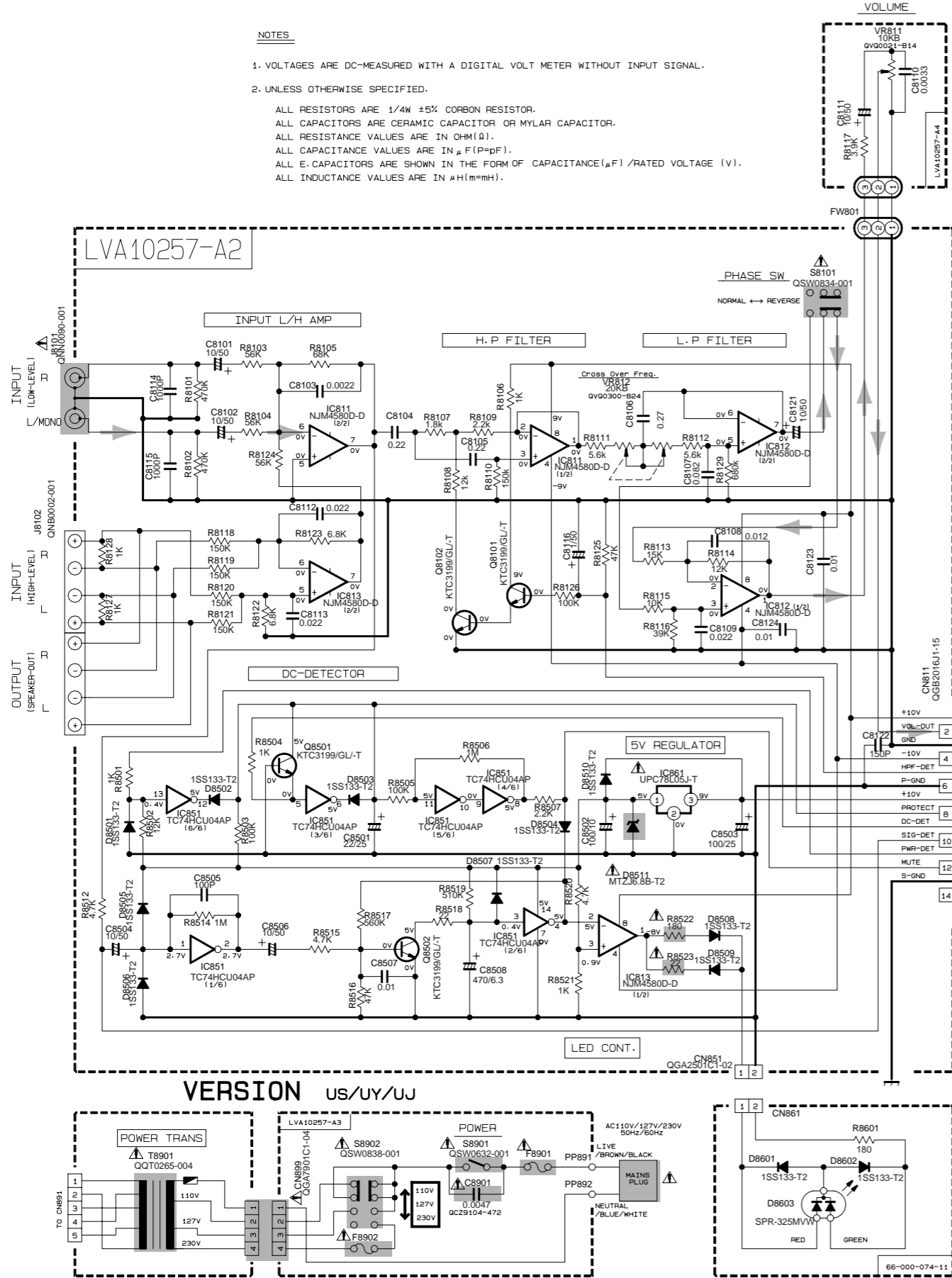
5

4

3

2

1



	D	B/E/EN	US/UY/UJ
T8901	QGTO265-001	QGTO265-003	QGTO265-004
F8901	GMF51U1-2R5-J1	GMF51E2-1R0-J1	GMF51E2-1R6-J1
F8902			GMF51E2-R80-J1
F8911	GMF51N2-2R0-J1	GMF51E2-1R6-J1	GMF51E2-1R25-J1
F8921	GMF51N2-2R0-J1	GMF51E2-1R6-J1	GMF51E2-1R25-J1

▲ Parts are safety assurance parts. When replacing those parts make sure to use the specified one.

➔ MAIN SIGNAL

Printed circuit boards

5

4

3

2

1

Terminal board

Volume board

Amplifier board

Power supply board

